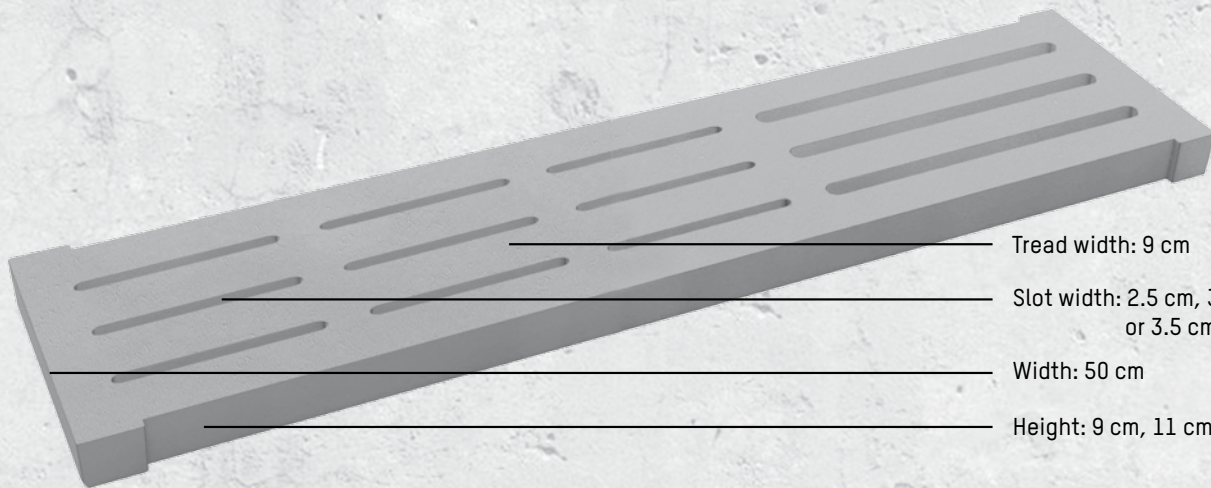




LONGITUDINAL SLOT CALVES FLOOR



Tread width: 9 cm

Slot width: 2.5 cm, 3.0 cm
or 3.5 cm

Width: 50 cm

Height: 9 cm, 11 cm or 13 cm

- ▶ Variable slot widths of 2.5 / 3.0 / 3.5 cm
- ▶ Long slots for better excrement culvert
- ▶ Longitudinal arrangement of the slots
- ▶ Animal weight up to 300 kg
- ▶ 9 cm, 11 cm or 13 cm height possible
- ▶ Tread width: 9 cm
- ▶ Optimized combined with rubber mat
- ▶ Standardly machine-deburred slot edges
- ▶ Optional full-surface or partial occupancy on the distinction between resting and feeding areas

LONGITUDINAL SLOT CALVES FLOOR

The new calves floor can be equipped with various slot widths. The choices are 2.5 cm, 3 cm - freely combined.

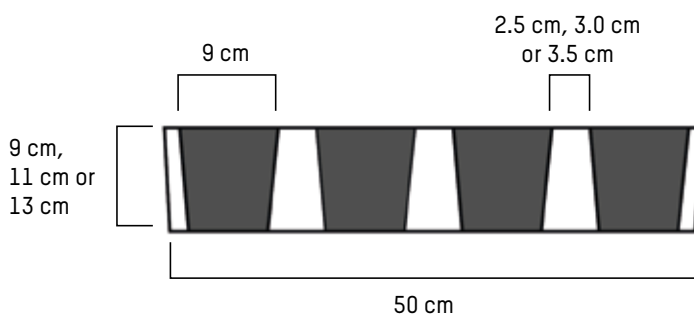
Important:

This floor is combinable with a rubber mat and can be produced for animal weights up to 300 kg. Other animal weights are available upon request.



SIZES:

Length in m	Width in cm	Height in cm	Weight per piece	Weight per m ²
1.50	50	9	126	168
1.60	50	9	134	168
1.70	50	9	143	168
1.80	50	9	151	168
1.90	50	9	160	168
2.00	50	9	168	168
2.10	50	9	176	168
2.20	50	9	185	168
2.30	50	9	193	168
2.40	50	9	202	168
2.50	50	11	225	180
2.60	50	11	234	180
2.70	50	11	242	180
2.80	50	11	251	180
2.90	50	11	260	180
3.00	50	13	286	192
3.10	50	13	296	192
3.20	50	13	306	192
3.30	50	13	316	192
3.40	50	13	326	192
3.50	50	13	336	192



The illustrations may differ from the actual version.
Subject to technical changes.

Manufactured according to the requirements of DIN EN 12737



Thye-Lokenberg Betonwerke GmbH
Erlenweg 4
D-49434 Neuenkirchen-Vörden
Phone +49 5493 - 99219-0
Fax +49 5493 - 99219-20
info@thye-lokenberg.de

Thye-Lokenberg Polska Sp. z o.o.
ul. Osiedlowa 27
PL 68-114 Tomaszowo
Phone +48 68 3606-199
Fax +48 68 3606-398
thye@thye-lokenberg.pl

www.thye-lokenberg.com