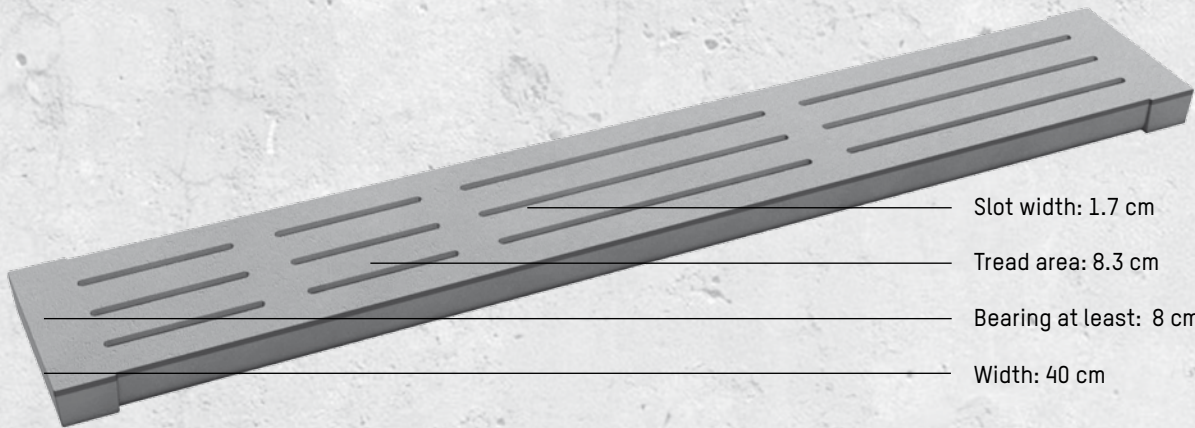




# SLATTED FLOORS FOR FATTENING PIGS

Width: 40 cm

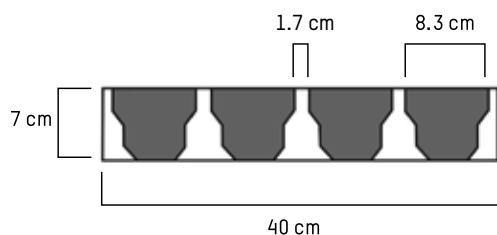


- ▶ Available in the following versions: partially closed and closed with open butt joint
- ▶ Animal weight up to 250 kg
- ▶ Bearing at least 8 cm
- ▶ Standardly machine-deburred slot edges
- ▶ Concrete quality: C 40/50
- ▶ Manufactured according to the requirements of DIN EN 12737

## SLATTED FLOORS FOR FATTENING PIGS

The pig slatted floor is designed primarily for fully slatted floor stable and can be used by the optimal slot layout and dimensions of the tread surfaces to the finishing period of pig fattening. The pig slatted floor is optimally combined with closed grates. For height compensation we recommend Bongossiledges. The slatted floor can be loaded with up to 250 kg of animal weight. On request, a more reinforcement is possible.

A high maturity and stability is guaranteed by the animal-friendly interface. The slot width is 1.7 cm according to the German „Haltungsverordnung“. For older stables or as fitting piece, the slatted floor is alternatively available in 33.3 cm width. This slatted floor has a slot maximum share of 15% and therefore it can be moved around the stable area.



Pig slatted floor in profile



Also partially closed surfaces for paths are possible at your convenience.

## SIZES:

Length in m	Slot width in cm	Numbers of cross-pieces	Slot percentage	Weight in kg/piece	Weight in kg/m <sup>2</sup>	Height in cm
0.60	1.7	3	13.10	27	122	7
0.70	1.7	3	13.22	31	122	7
0.80	1.7	3	12.48	36	122	7
0.90	1.7	3	12.99	43	122	7
1.00	1.7	3	13.39	47	122	7
1.10	1.7	3	13.72	52	122	7
1.20	1.7	4	13.25	55	122	7
1.30	1.7	4	13.44	60	122	7
1.40	1.7	4	13.60	64	122	7
1.50	1.7	4	14.00	68	122	7
1.60	1.7	4	14.18	70	122	7
1.70	1.7	4	14.35	76	122	7
1.80	1.7	5	13.86	93	130	8
1.90	1.7	5	14.03	96	130	8
2.00	1.7	5	14.17	106	130	8
2.10	1.7	5	14.31	121	140	9
2.20	1.7	5	13.45	123	140	9
2.30	1.7	6	14.10	137	140	9
2.40	1.7	6	14.22	142	140	9
2.50	1.7	7	14.17	164	142	10
2.60	1.7	5	14.92	150	142	10
2.70	1.7	6	14.67	175	164	11
2.80	1.7	6	14.75	184	164	11
2.90	1.7	6	14.83	190	164	11
3.00	1.7	6	14.90	197	164	11
3.10	1.7	11	13.55	240	192	12
3.20	1.7	11	13.67	248	192	12
3.30	1.7	11	13.71	255	192	12
3.40	1.7	12	13.53	261	192	12
3.50	1.7	12	13.64	268	192	12
3.60	1.7	12	13.96	277	192	12

The illustrations may differ from the actual version.  
Subject to technical changes.

Manufactured according to the requirements of DIN EN 12737



**Thye-Lokenberg Betonwerke GmbH**  
Erlenweg 4  
D-49434 Neuenkirchen-Vörden  
Phone +49 5493 - 99219-0  
Fax +49 5493 - 99219-20  
[info@thye-lokenberg.de](mailto:info@thye-lokenberg.de)

**Thye-Lokenberg Polska Sp. z o.o.**  
ul. Osiedlowa 27  
PL 68-114 Tomaszowo  
Phone +48 68 3606-199  
Fax +48 68 3606-398  
[thye@thye-lokenberg.pl](mailto:thye@thye-lokenberg.pl)

[www.thye-lokenberg.com](http://www.thye-lokenberg.com)