

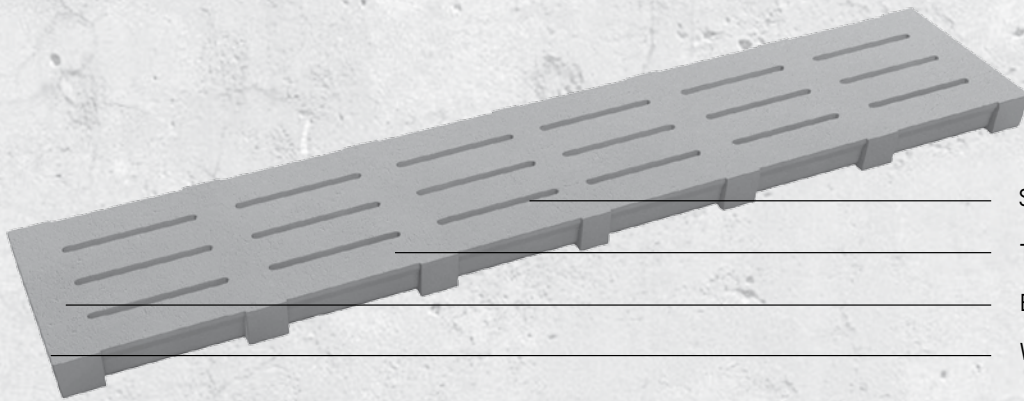


thye-lokenberg

Phone +49 5493 99 21 90
info@thye-lokenberg.de



SLATTED FLOORS FOR SOWS



Slot width: 2,0 cm

Tread width: 8 cm

Bearing: less than 8 cm

Width: 40 cm

- ▶ Column and tread widths according to the current German „Haltungsverordnung“
- ▶ Concrete quality: C 40/50
- ▶ Manufactured to the requirements of DIN EN 12737
- ▶ Partically closed also available
- ▶ Available in different widths
- ▶ High maturity and stability by animal-friendly interface
- ▶ Standardly machine-deburred slot edges
- ▶ Animal weight up to 250 kg

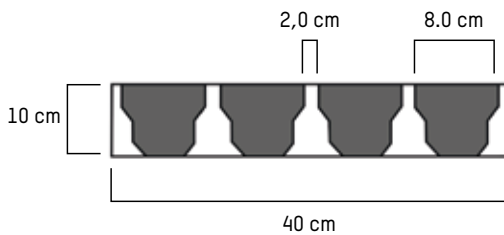
SLATTED FLOORS FOR SOWS

In gestation crates of 2,0 cm, slatted floors can also be combined with other slot widths. This results a higher cleanliness of the animals behind the barrel fields of the gestation crates.

It is recommended periodically to incorporate an excrement hole.

This slatted floor is used with both slatted floor stables, fully and partly. In combination with the balanced tread, this slatted floor is the ideal product for sows because of the finely tuned slot arrangement.

- According to the latest standard
- Is characterized as particularly robust from by its new heights



Sows slatted floor in profile



SIZES:

Length in m	Width in cm	Height in cm	Tread	Weight m ²	Piece Weight	Number of crossbars
0.60	40	7	8.0	122	27	2
0.70	40	7	8.0	122	31	2
0.80	40	7	8.0	122	36	3
0.90	40	7	8.0	122	43	3
1.00	40	7	8.0	122	49	3
1.10	40	7	8.0	122	52	3
1.20	40	7	8.0	122	55	4
1.30	40	8	8.0	137	70	5
1.40	40	8	8.0	137	76	5
1.50	40	8	8.0	137	82	5
1.60	40	8	8.0	137	88	5
1.70	40	8	8.0	137	93	6
1.80	40	8	8.0	137	99	6
1.90	40	9	8.0	140	106	7
2.00	40	9	8.0	140	112	7
2.10	40	9	8.0	140	118	7
2.20	40	9	8.0	140	124	7
2.30	40	9	8.0	140	130	8
2.40	40	10	8.0	142	135	8
2.50	40	10	8.0	142	142	9
2.60	40	10	8.0	142	147	9
2.70	40	11	8.0	164	200	9
2.80	40	11	8.0	164	207	7
2.90	40	11	8.0	164	214	7
3.00	40	11	8.0	164	221	7
3.10	40	12	8.0	192	239	11
3.20	40	12	8.0	192	247	11
3.30	40	12	8.0	192	255	11
3.40	40	12	8.0	192	263	12
3.50	40	12	8.0	192	270	12
3.60	40	12	8.0	192	278	12

Sows columns with 40 cm width

The illustrations may differ from the actual version.
Subject to technical changes.

Manufactured according to the requirements of DIN EN 12737



Thye-Lokenberg Betonwerke GmbH
Erlenweg 4
D-49434 Neuenkirchen-Vörden
Phone +49 5493 - 99219-0
Fax +49 5493 - 99219-20
info@thye-lokenberg.de

Thye-Lokenberg Polska Sp. z o.o.
ul. Osiedlowa 27
PL 68-114 Tomaszowo
Phone +48 68 3606-199
Fax +48 68 3606-398
thye@thye-lokenberg.pl

www.thye-lokenberg.com